

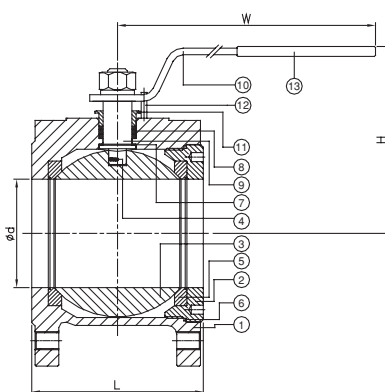
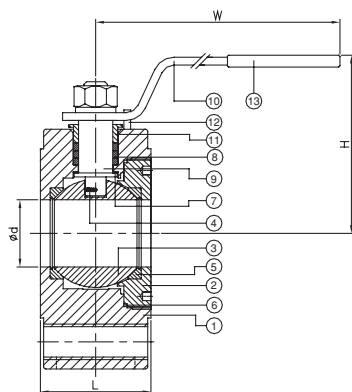
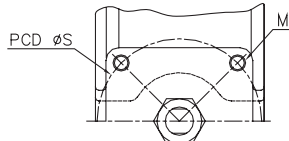
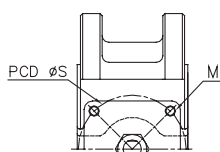


СФЕРИЧЕН КРАН ТИП "WAFER" НА ФЛАНЦИ - 304L и 316L



FEATURES

- Full port, 1/2"~4" (DN15~DN100)
- W.P. : PN10/16/40
CLASS 150
- W.T. : -20°C~200°C (-4°F~392°F)
- Wafer type
- Investment casting
- Blow-out proof stem
- Anti-static device (option)
- ISO 5211 Mounting pad



ITEM	PARTS	MATERIAL	
1	BODY	ASTM A351 CF8M	ASTM A216 WCB
2	RETAINER		
3	BALL	ASTM A351 CF8M	
4	ANTI STATIC DEVICE	AISI 316	
5	SEAT	PTFE	
6	SEAL		
7	THRUST WASHER		
8	PACKING	ASTM A276 316	
9	STEM		
10	HANDLE	AISI 304	
11	GLAND NUT		
12	STOP PIN	PVC	
13	HANDLE SLEEVE		

DN	d	S	M	L	W	CLASS 150		PN 16/40		
						H	Torque(N M)	PN	H	Torque(N M)
15	15	36	M5	36	150	68	5.2	PN 16 40	70	5.5
20	20	36	M5	38	150	72	7		70	7.5
25	25	36	M5	43	150	75	8.3		80	8.5
32	32	36	M5	51	156	88.5	12.7		87	12
40	38	50	M6	63	180	110	38.2	PN 16 40	102	20
50	50	50	M6	70	180	118.5	45.9		108	30
65	65	70	M8	107	282	140	53.6	PN 10 16	143	50
80	76	70	M8	120	290	152	82.8		152	65
100	96	102	M10	152	325	168	104.5		168	90

unit:mm

NPS	d	S	M	L	W	CLASS 150		PN 16/40		
						H	Torque(in lb)	PN	H	Torque(in lb)
1/2"	0.59	1.42	M5	1.42	5.91	2.68	46	PN 16 40	2.76	48.68
3/4"	0.79	1.42	M5	1.5	5.91	2.83	62.1		2.76	66.38
1"	0.98	1.42	M5	1.69	5.91	2.95	73.6		3.15	75.23
1 1/4"	1.26	1.42	M5	2.01	6.14	3.48	112.8		3.43	106.21
1 1/2"	1.5	1.97	M6	2.48	7.09	4.33	338.3	PN 16 40	4.02	177.01
2"	1.97	1.97	M6	2.76	7.09	4.67	406.2		4.25	265.52
2 1/2"	2.56	2.76	M8	4.21	11.1	5.51	474	PN 10 16	5.63	442.54
3"	2.99	2.76	M8	4.72	11.42	5.98	732.9		5.98	575.3
4"	3.78	4.02	M10	5.98	12.8	6.61	925.1		6.61	796.56

unit:in