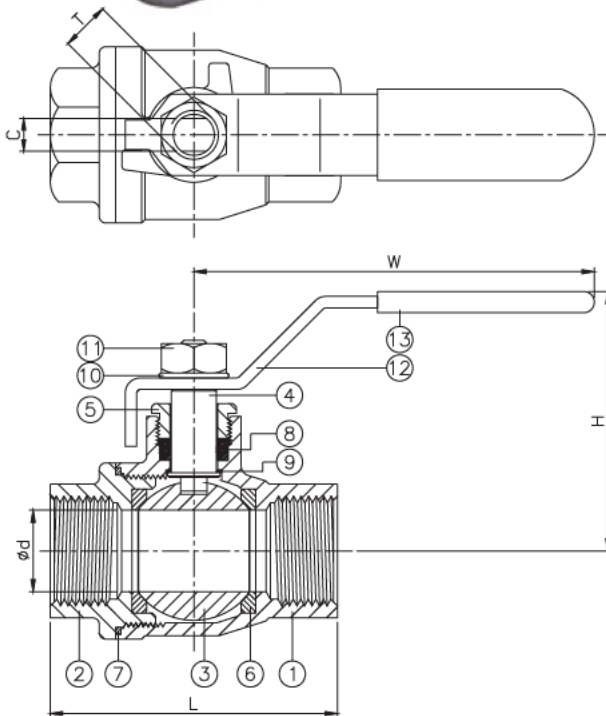




СФЕРИЧЕН КРАН НА РЕЗБА - 304L и 316L



FEATURES

- Full port, 1/4"~3" (DN8~DN80)
- W.P. : 1000 WOG (PN63)
- W.T. : -20°C~200°C (-4°F~392°F)
- Investment casting
- Blow-out proof stem
- Anti-static device (option)
- Thread type : ASME B1.20.1 (NPT)
DIN2999 & BS21
ISO7/1 & EN10226

ITEM	PARTS	MATERIAL	
1	BODY	ASTM A351 CF8M	ASTM A216 WCB
2	CAP		
3	BALL	ASTM A351 CF8M	
4	STEM	ASTM A276 316	
5	GLAND NUT	AISI 304	
6	SEAT	PTFE / RTFE	
7	SEAL	PTFE	
8	PACKING		
9	THRUST WASHER		
10	SPRING WASHER	AISI 304	
11	NUT		
12	HANDLE		
13	HANDLE SLEEVE	PVC	

DN	d	L	H	W	C	T	Torque (N m)	Weight (kg)
8	12	51.5	49	102	5	5/16"W	4.1	0.2
10	13	51.5	49	102	5	5/16"W	4.1	0.2
15	15	60.5	49	102	5	5/16"W	4.9	0.3
20	20	70.5	62.5	120	6	3/8"W	7.4	0.5
25	25	83.5	75	158	8	7/16"W	11.4	0.9
32	32	97	81.5	158	8	7/16"W	17.9	1.3
40	38	107	99	188	9	1/2"W	21.2	2.2
50	50	135	108	188	9	1/2"W	26	3.5
65	65	159.5	136.5	245	12	3/4"W	48.6	6.2
80	80	185.5	145.5	245	12	3/4"W	156	10.3

unit:mm

NPS	d	L	H	W	C	T	Torque (in lb)	Weight (lb)
1/4"	0.47	2.03	1.93	4.02	0.2	5/16"W	36	0.5
3/8"	0.51	2.03	1.93	4.02	0.2	5/16"W	36	0.5
1/2"	0.59	2.38	1.93	4.02	0.2	5/16"W	43	0.7
3/4"	0.79	2.78	2.46	4.72	0.24	3/8"W	65	1.1
1"	0.98	3.29	2.95	6.22	0.31	7/16"W	101	2
1 1/4"	1.26	3.82	3.21	6.22	0.31	7/16"W	158	2.9
1 1/2"	1.5	4.21	3.9	7.4	0.35	1/2"W	187	4.9
2"	1.97	5.31	4.25	7.4	0.35	1/2"W	230	7.7
2 1/2"	2.56	6.28	5.37	9.65	0.47	3/4"W	430	13.7
3"	3.15	7.3	5.73	9.65	0.47	3/4"W	1380	22.6

unit:in