



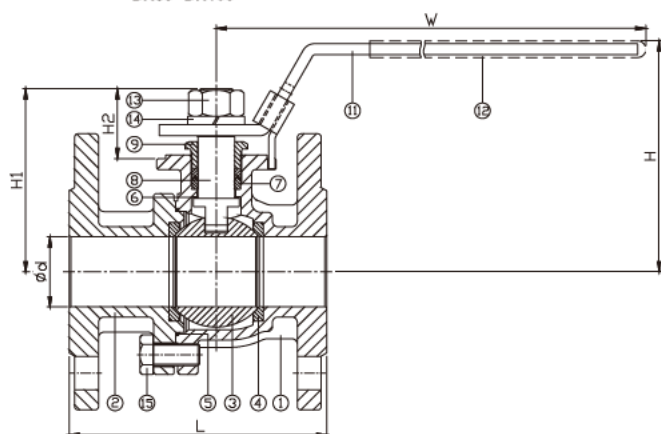
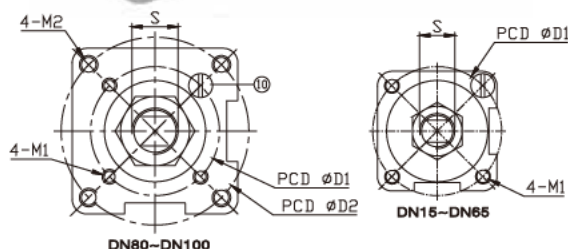
СФЕРИЧЕН КРАН ОТ 2 ЧАСТИ НА ФЛАНЦИ- 304L и 316L

FEATURES



- Full port, 1/2"~10" (DN15~DN250)
- W.P. : PN16/40
- W.T. : -20°C~200°C (-4°F~392°F)
- Investment casting
- Blow-out proof stem
- Anti-static device (option)
- Locking device
- ISO 5211 Mounting pad
- **TA-Luft approved (option)**
- **ISO 5211 Direct mounting pad - 2019SD (option)**

- Flange dimension: DIN 2501
- Face to face: DIN 3202 part1 - F4/F5



ITEM	PARTS	MATERIAL
1	BODY	ASTM A351-CF8M ASTM A216-WCB
2	CAP	
3	BALL	ASTM A351-CF8M
4	SEAT	PTFE / RTFE
5	SEAL	
6	THRUST WASHER	PTFE
7	PACKING	
8	STEM	ASTM A276-316
9	GLAND NUT	AISI 304
10	STOP PIN	
11	HANDLE	PVC
12	HANDLE SLEEVE	
13	STEM NUT	AISI 304
14	SPRING WASHER	
15	BOLT	

DN	d	L	H	H1	H2	S	W	D1	D2	M1	M2	Torque(N·m)
15	15	115	86	57.2	23.7	11.1	169	42	-	M5	-	7.5
20	20	120	89	59	23.5	11.1	169	42	-	M5	-	7.6
25	25	125	104	73.5	29.5	12.7	205.5	50	-	M6	-	17.5
32	32	130	109	78	29.5	12.7	205.5	50	-	M6	-	20
40	38	140	130	100.9	39.4	19.1	267	70	-	M8	-	22.9
50	50	150	135	107.4	39.4	19.1	267	70	-	M8	-	32.2
65	63	170	145	116.1	38.6	19.1	298	70	-	M8	-	42.3
80	76	180	166	139	43	19.1	390	70	102	M8	M10	87.2
100	100	190	181	157	43	19.1	390	70	102	M8	M10	98.2

NPS	d	L	H	H1	H2	S	W	D1	D2	M1	M2	Torque(in·lb)
1/2"	0.59	4.53	3.39	2.25	0.93	0.44	6.65	1.65	-	M5	-	66.4
3/4"	0.79	4.72	3.5	2.32	0.93	0.44	6.65	1.65	-	M5	-	67.3
1"	0.98	4.92	4.09	2.89	1.16	0.5	8.09	1.97	-	M6	-	154.9
1-1/4"	1.26	5.12	4.29	3.07	1.16	0.5	8.09	1.97	-	M6	-	177
1-1/2"	1.5	5.51	5.12	3.97	1.55	0.75	10.51	2.76	-	M8	-	202.7
2"	1.97	5.91	5.31	4.23	1.55	0.75	10.51	2.76	-	M8	-	285
2-1/2"	2.48	6.69	5.71	4.57	1.52	0.75	11.73	2.76	-	M8	-	374.4
3"	2.99	7.09	6.54	5.47	1.69	0.75	15.35	2.76	4.02	M8	M10	771.8
4"	3.94	7.48	7.13	6.18	1.69	0.75	15.35	2.76	4.02	M8	M10	869.2

unit in