

Ball Valve

EU 97/23/EC DN CE 0035

EN 10204 3.1

1-pc

reduced bore

f / f thread, ISO 228-1G

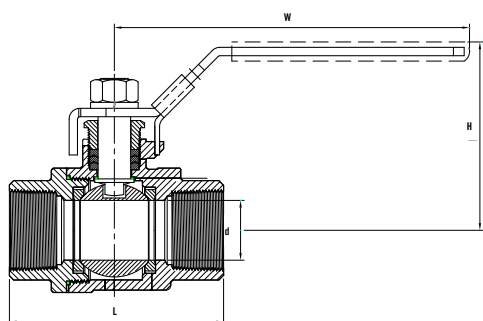
nominal pressure DN 8 (1/4") - DN 80 (3") = PN 63

PTFE seats and seals

temperature -20°C upto 200°C



DN	INCH	d mm	L mm	W mm	H mm	Kg / pc	EN 1.4408 AISI 316
8	1/4"	5.0	39.0	71.0	33.0	0.33	VB15651855
10	3/8"	7.0	44.0	93.0	35.0	0.33	VB15652180
15	1/2"	9.2	55.0	95.0	40.0	0.33	VB15652580
20	3/4"	12.5	59.0	95.0	44.0	0.43	VB15653045
25	1"	15.0	69.0	113.0	51.0	0.63	VB15653590
32	1.1/4"	20.0	77.0	113.0	57.0	1.04	VB16654160
40	1.1/2"	25.0	81.0	141.0	64.0	1.64	VB16654505
50	2"	32.0	97.0	141.0	68.0	2.24	VB16655135



Ball Valve

EU 97/23/EC DN CE 0035

EN 10204 3.1

2-pcs full bore

face to face length M3

f / f thread, ISO 228-1G

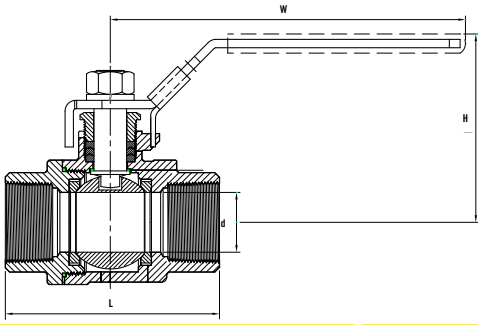
nominal pressure DN 8 (1/4") - DN 80 (3") = PN 63

PTFE seats and seals

temperature -20°C upto 200°C



DN	INCH	d mm	L mm	W mm	H mm	Kg / pc	EN 1.4408 AISI 316
8	1/4"	11.6	55.0	100.0	59.0	0.3	VB25651855
10	3/8"	12.5	60.0	100.0	59.0	0.3	VB25652180
15	1/2"	15.0	75.0	100.0	59.0	0.3	VB25652580
20	3/4"	20.0	80.0	125.0	64.0	0.5	VB25653045
25	1"	25.0	90.0	149.0	78.0	0.9	VB25653590
32	1.1/4"	32.0	110.0	149.0	83.0	1.3	VB25654160
40	1.1/2"	38.0	120.0	190.0	102.0	2.0	VB25654505
50	2"	50.0	140.0	190.0	108.0	2.9	VB25655135
65	2.1/2"	63.0	185.0	250.0	138.0	5.9	VB25655615
80	3"	76.0	205.0	250.0	146.0	8.2	VB26655940



Ball Valve

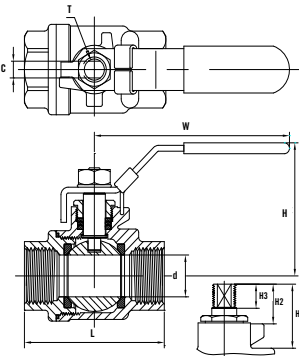
EU 97/23/EC DN CE 0035

EN 10204 3.1

2-pcs full bore
face to face length M3
f / f thread, ANSI B1.2.0.1 (NPT)
nominal pressure DN 8 (1/4") - DN 25 (1") = PN 63
PTFE seats and seals
temperature -20°C upto 200°C



DN	INCH	d mm	L mm	W mm	H mm	Kg / pc	EN 1.4408 AISI 316
8	1/4"	11.6	55.0	100.0	59.0	0.3	VB27651855
10	3/8"	12.5	60.0	100.0	59.0	0.3	VB27652180
15	1/2"	15.0	75.0	100.0	59.0	0.3	VB27652580
20	3/4"	20.0	80.0	125.0	64.0	0.5	VB27653045
25	1"	25.0	90.0	149.0	78.0	0.9	VB27653590



Ball Valve

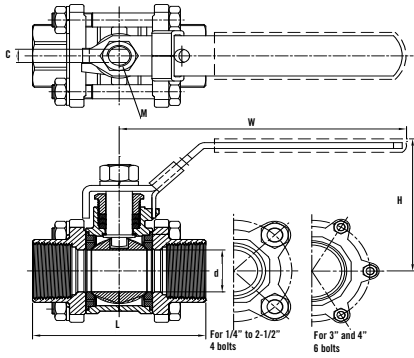
EU 97/23/EC DN CE 0035

EN 10204 3.1

2-pcs full bore
face to face length M3
f / f thread, ISO 228-16
nominal pressure DN 8 (1/4") - DN 25 (1") = PN 150
nominal pressure DN 32 (1.1/4") - DN 50 (2") = PN 100
PTFE seats and RTFE seals
temperature -20°C upto 200°C



DN	INCH	d mm	L mm	W mm	H mm	Kg / pc	EN 1.4408 AISI 316
8	1/4"	11.6	60.5	102.0	50.0	0.3	VB45651855
10	3/8"	13.0	60.5	102.0	50.0	0.3	VB45652180
15	1/2"	15.0	64.0	102.0	50.0	0.3	VB45652580
20	3/4"	20.0	77.0	120.0	62.0	0.6	VB45653045
25	1"	25.0	90.0	159.0	75.5	0.8	VB45653590
32	1.1/4"	32.0	100.0	159.0	81.0	1.3	VB46654160
40	1.1/2"	38.0	118.0	188.0	98.0	2.0	VB46654505
50	2"	50.0	138.0	188.0	108.0	3.1	VB46655135



Ball Valve

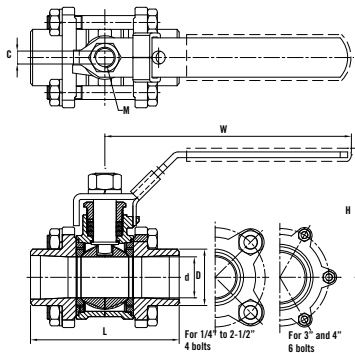
EU 97/23/EC DN CE 0035

EN 10204 3.1

3-pcs full bore
face to face M3
f / f thread, ISO 228-1G
nominal pressure DN 8 (1/4") - DN 100 (4") = PN 63
PTFE seats and seals
temperature -20°C upto 200°C



DN	INCH	d mm	L mm	C mm	H mm	No mm	W mm	Kg / pc	EN 1.4408 AISI 316
8	1/4"	11.6	55.0	5.0	60.0	4.0	100.0	0.4	VB50651855
10	3/8"	12.5	60.0	5.0	60.0	4.0	100.0	0.4	VB50652180
15	1/2"	15.0	75.0	5.0	62.0	4.0	100.0	0.5	VB50652580
20	3/4"	20.0	80.0	6.5	62.0	4.0	125.0	0.7	VB50653045
25	1"	25.0	90.0	7.9	80.0	4.0	149.0	1.1	VB50653590
32	1.1/4"	32.0	110.0	7.9	85.0	4.0	149.0	1.6	VB50654160
40	1.1/2"	38.0	120.0	10.0	100.0	4.0	190.0	2.4	VB50654505
50	2"	50.0	140.0	10.0	108.0	4.0	190.0	3.5	VB50655135
65	2.1/2"	63.0	185.0	12.0	136.0	4.0	250.0	6.9	VB51655615
80	3"	76.0	205.0	12.0	146.0	6.0	250.0	9.6	VB51655940
100	4"	96.0	240.0	16.0	182.0	6.0	323.0	19.4	VB51656655



Ball Valve

EU 97/23/EC DN CE 0035

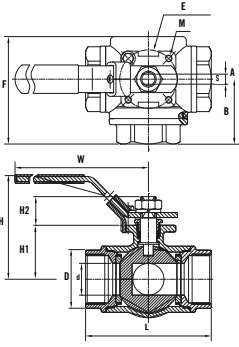
EN 10204 3.1

3-pcs full bore
face to face M3
BW ends according ANSI B 16.25
nominal pressure DN 8 (1/4") - DN 100 (4") = PN 63
PTFE seats and seals
temperature -20°C upto 200°C



DN	INCH	d mm	D mm	L mm	C mm	H mm	No mm	W mm	Kg / pc	EN 1.4408 AISI 316
8	1/4"	11.6	14.7	55.0	5.0	60.0	4.0	100.0	0.4	VB55651855
10	3/8"	12.5	18.1	60.0	5.0	60.0	4.0	100.0	0.4	VB55652180
15	1/2"	15.0	22.3	75.0	5.0	62.0	4.0	100.0	0.5	VB55652580
20	3/4"	20.0	27.7	80.0	6.5	62.0	4.0	125.0	0.7	VB55653045
25	1"	25.0	34.4	90.0	7.9	80.0	4.0	149.0	1.1	VB55653590
32	1.1/4"	32.0	43.2	110.0	7.9	85.0	4.0	149.0	1.6	VB55654160
40	1.1/2"	38.0	49.3	120.0	10.0	100.0	4.0	190.0	2.4	VB55654505
50	2"	50.0	61.5	140.0	10.0	108.0	4.0	190.0	3.5	VB55655135
65	2.1/2"	63.0	74.5	185.0	12.0	136.0	4.0	250.0	6.9	VB56655615
80	3"	76.0	91.0	205.0	12.0	146.0	6.0	250.0	9.6	VB56655940
100	4"	96.0	115.5	240.0	16.0	182.0	6.0	323.0	19.4	VB56656655

Valves



Ball Valve

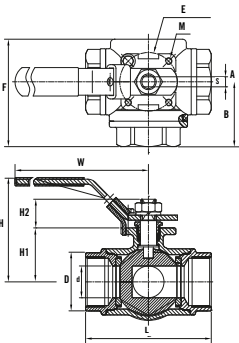
EU 97/23/EC DN CE 0035

EN 10204 3.1

3-way, L-bore, reduced bore
f / f / f thread, ISO 228-1G
nominal pressure DN 8 (1/4") - DN 50 (2") = PN 63
PTFE seats and seals
temperature -20°C upto 200°C



DN	INCH	d mm	D mm	L mm	B mm	F mm	H mm	W mm	E mm	M mm	H1 mm	H2 mm	A mm	Kg / pc	Toraue IN-MI		EN 1.4408 AISI 316
															Break-away	Action	
8	1/4"	11.6	25.5	76.0	37.3	58.5	67.0	153.0	42.0	M5	29.1	18.0	8.0	0.8	7.9	5.5	VD10651855
10	3/8"	12.5	25.5	76.0	37.3	58.5	67.0	153.0	42.0	M5	29.1	18.0	8.0	0.7	8.1	6.1	VD10652180
15	1/2"	12.5	25.5	76.0	37.3	58.5	67.0	153.0	42.0	M5	29.1	18.0	8.0	0.7	11.3	9.9	VD10652580
20	3/4"	16.0	32.0	86.0	44.0	72.0	77.0	153.0	42.0	M5	38.5	20.0	8.0	1.1	14.5	10.8	VD10653045
25	1"	20.0	38.5	99.0	49.0	81.5	83.0	183.0	50.0	M6	43.0	23.0	9.5	1.6	20.0	11.3	VD10653590
32	1.1/4"	25.0	48.5	117.0	57.0	94.5	88.0	183.0	50.0	M6	47.8	23.0	9.5	2.2	23.8	17.9	VD12654160
40	1.1/2"	32.0	58.5	124.0	61.3	104.0	116.0	246.0	70.0	M8	55.7	34.0	12.5	3.8	34.8	26.4	VD12654505
50	2"	38.0	69.5	145.0	74.3	125.0	124.0	246.0	70.0	M8	64.5	34.0	12.5	5.8	58.1	46.2	VD12655135



Ball Valve

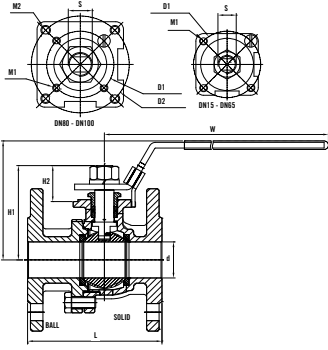
EU 97/23/EC DN CE 0035

EN 10204 3.1

3-way, T-bore, reduced bore
f / f / f thread, ISO 228-1G
nominal pressure DN 8 (1/4") - DN 50 (3") = PN 63
PTFE seats and seals
temperature -20°C upto 200°C



DN	INCH	d mm	D mm	L mm	B mm	F mm	H mm	W mm	E mm	M mm	H1 mm	H2 mm	A mm	Kg / pc	Toraue IN-MI		EN 1.4408 AISI 316
															Break-away	Action	
8	1/4"	11.6	25.5	76.0	37.3	58.5	67.0	153.0	42.0	M5	29.1	18.0	8.0	0.8	7.9	5.5	VD15651855
10	3/8"	12.5	25.5	76.0	37.3	58.5	67.0	153.0	42.0	M5	29.1	18.0	8.0	0.7	8.1	6.1	VD15652180
15	1/2"	12.5	25.5	76.0	37.3	58.5	67.0	153.0	42.0	M5	29.1	18.0	8.0	0.7	11.3	9.9	VD15652580
20	3/4"	16.0	32.0	86.0	44.0	72.0	77.0	153.0	42.0	M5	38.5	20.0	8.0	1.1	14.5	10.8	VD15653045
25	1"	20.0	38.5	99.0	49.0	81.5	83.0	183.0	50.0	M6	43.0	23.0	9.5	1.6	20.0	11.3	VD15653590
32	1.1/4"	25.0	48.5	117.0	57.0	94.5	88.0	183.0	50.0	M6	47.8	23.0	9.5	2.2	23.8	17.9	VD16654160
40	1.1/2"	32.0	58.5	124.0	61.3	104.0	116.0	246.0	70.0	M8	55.7	34.0	12.5	3.8	34.8	26.4	VD16654505
50	2"	38.0	69.5	145.0	74.3	125.0	124.0	246.0	70.0	M8	64.5	34.0	12.5	5.8	58.1	46.2	VD16655135



Ball Valve

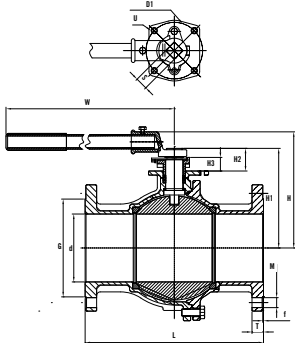
EU 97/23/EC DN CE 0035

EN 10204 3.1

2-pcs, full bore, flanges according to DIN EN
 DN 15 (1/2") - DN 100 (4") = f. to f. length acc. to DIN 3201
 F4 EN 558-1 Tab. 1 row 14
 DN 125 (5") - DN 150 (6") = f. to f. length acc. to DIN 3201
 F 5 EN 558-1 Tab. 1 row 15
 nominal pressure DN 15 (1/2") - DN 50 (2") = PN 40
 nominal pressure DN 65 (2. 1/2") - DN 100 (4") = PN 16
 with mounting pad according to ISO 5211
 PTFE seats and seals
 temperature -20°C upto 200°C



DN	INCH	d mm	L mm	H mm	H1 mm	H2 mm	S mm	W mm	D1 mm	D2 mm	M1 mm	M2 mm	Torque IN-MI		Weight		EN 1.4408 AISI 316
													Break-away	Action	PN16	PN40	
15	1/2"	15.0	115.0	86.0	57.2	23.7	11.1	169.0	42.0	-	M5	-	7.5	5.0	2.1	2.3	VF10382580
20	3/4"	20.0	120.0	89.0	59.0	23.5	11.1	169.0	42.0	-	M5	-	7.6	5.0	2.9	3.0	VF10383045
25	1"	25.0	125.0	104.0	73.5	29.5	12.7	205.5	50.0	-	M6	-	17.5	15.1	3.6	3.9	VF10383590
32	1.1/4"	32.0	130.0	109.0	78.0	29.5	12.7	205.5	50.0	-	M6	-	20.0	17.2	4.9	5.4	VF10384160
40	1.1/2"	38.0	140.0	130.0	100.9	39.4	19.1	267.0	70.0	-	M8	-	22.9	20.5	7.1	7.1	VF10384505
50	2"	50.0	150.0	135.0	107.4	39.4	19.1	267.0	70.0	-	M8	-	32.2	27.2	9.0	9.5	VF10385135
65	2.1/2"	63.0	170.0	145.0	116.1	38.6	19.1	298.0	70.0	-	M8	-	42.3	34.2	13.0	13.4	VF21385615
80	3"	76.0	180.0	166.0	139.0	43.0	19.1	390.0	70.0	102.0	M8	M10	87.2	74.6	16.2	17.4	VF21385940
100	4"	100.0	190.0	181.0	157.0	43.0	19.1	390.0	70.0	102.0	M8	M10	98.2	75.2	22.5	25.7	VF21386655



Ball Valve

EU 97/23/EC DN CE 0035

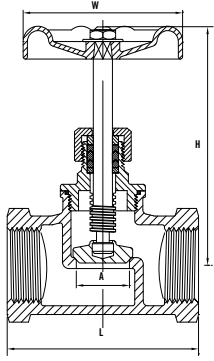
EN 10204 3.1

2-pcs, full bore, flanges according to DIN / EN
 DN 15 (1/2") - DN 100 (4") = f. to f. length acc. to DIN 3201
 F4 EN 558-1 Tab. 1 row 14
 DN 125 (5") - DN 150 (6") = f. to f. length acc. to DIN 3201
 F5 EN 558-1 Tab. 1 row 15
 nominal pressure DN 125 (5") - DN 150 (6") = PN 16
 with mounting pad according to ISO 5211
 PTFE seats and seals
 temperature -20°C upto 200°C



DN	INCH	d mm	G mm	L mm	H mm	H1 mm	H2 mm	H3 mm	W mm	D1 mm	T mm	f mm	M mm	U mm	S mm	Kg / pc	Weight (Kg) PN16		EN 1.4408 AISI 316
																	Solid ball	Hollow ball	
125	5"	125.0	188.0	325.0	239.6	199.0	52.0	32.0	743.0	125.0	22.0	3.0	18.0	M12*1.75	27.0	0.8	42.7	36.7	VF22387225
150	6"	150.0	212.0	350.0	256.5	220.0	50.0	31.0	743.0	125.0	22.0	3.0	22.0	M12*1.75	27.0	0.7	63.0	52.0	VF22387716

Valves



Globe Valve

EU 97/23/EC DN CE 0035

EN 10204 3.1

screwed-in bonnet, non-rising stem

reduced bore, solid wedge disc

f / f thread, ISO 228-1G

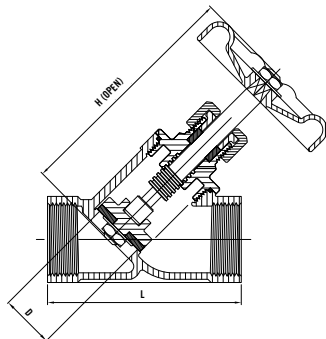
nominal pressure DN 8 (1/4") - DN 50 (2") = PN 50

PTFE seats and seals

temperature -20°C upto 200°C



DN	INCH	L mm	H mm	W mm	A mm	Kg / pc	EN 1.4408 AISI 316
8	1/4"	52.0	105.5	70.0	13.6	0.3	VL10651855
10	3/8"	52.0	105.5	70.0	13.6	0.3	VL10652180
15	1/2"	52.0	107.0	70.0	13.6	0.3	VL10652580
20	3/4"	66.0	116.0	80.0	17.6	0.5	VL10653045
25	1"	76.0	129.2	80.0	22.6	0.7	VL10653590
32	1.1/4"	86.0	153.5	90.0	29.5	1.0	VL11654160
40	1.1/2"	94.0	157.0	100.0	30.5	1.3	VL11654505
50	2"	118.0	172.0	100.0	42.5	1.8	VL11655135



Y-Type Globe Valve

EU 97/23/EC DN CE 0035

EN 10204 3.1

screwed-in bonnet, non-rising stem

Y-type, full bore, PTFE disc

f / f thread, ISO 228-1G

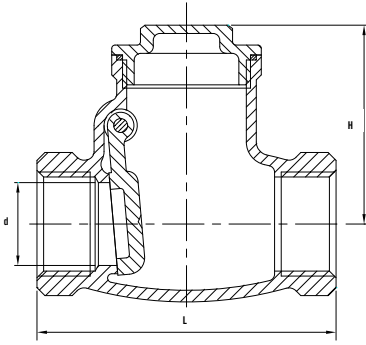
nominal pressure DN 8 (1/4") - DN 50 (2") = PN 40

PTFE seats and seals

temperature -20°C upto 200°C



DN	INCH	L mm	H mm	D mm	Kg / pc	EN 1.4408 AISI 316
8	1/4"	65.0	107.0	11.0	0.5	VL15651855
10	3/8"	65.0	107.0	13.0	0.5	VL15652180
15	1/2"	65.0	107.0	15.0	0.5	VL15652580
20	3/4"	80.0	122.0	20.0	0.6	VL15653045
25	1"	90.0	142.0	25.0	1.1	VL15653590
32	1.1/4"	105.0	155.0	32.0	1.3	VL16654160
40	1.1/2"	120.0	175.0	38.0	1.8	VL16654505
50	2"	140.0	195.0	50.0	2.6	VL16655135



Swing Check Valve

EU 97/23/EC DN CE 0035

EN 10204 3.1

screwed-in cap, swing type

full bore, st. st. disc

f / f thread, ISO 228-1G

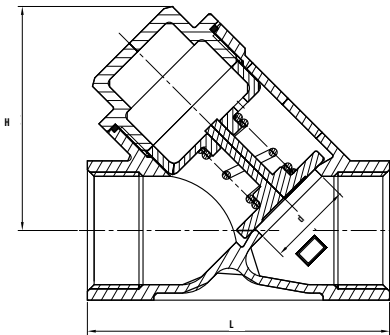
nominal pressure DN 15 (1/2") - DN 50 (2") = PN 40

PTFE seats and seals

temperature -20°C upto 200°C



DN	INCH	d mm	L mm	H mm	Kg / pc	EN 1.4408 AISI 316
15	1/2"	15.0	65.0	43.0	0.2	VC10652580
20	3/4"	20.0	80.0	46.5	0.4	VC10653045
25	1"	25.0	90.0	60.0	0.5	VC10653590
32	1.1/4"	32.0	105.0	66.5	0.9	VC11654160
40	1.1/2"	40.0	120.0	76.0	1.2	VC11654505
50	2"	50.0	141.0	81.0	1.8	VC11655135



Piston Check Valve

EU 97/23/EC DN CE 0035

EN 10204 3.1

screwed-in cap, piston type

full bore, st. st. disc

f / f thread, ISO 228-1G

nominal pressure DN 8 (1/4") - DN 80 (3") = PN 50

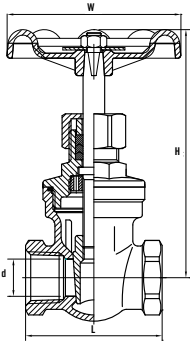
PTFE seats and seals

temperature -20°C upto 200°C



DN	INCH	d mm	L mm	H mm	Kg / pc	EN 1.4408 AISI 316
8	1/4"	15.0	65.0	46.0	0.3	VC15651855
10	3/8"	15.0	65.0	46.0	0.3	VC15652180
15	1/2"	15.0	65.0	46.0	0.2	VC15652580
20	3/4"	20.0	80.0	66.0	0.3	VC15653045
25	1"	25.0	90.0	70.0	0.5	VC15653590
32	1.1/4"	32.0	105.0	72.0	0.8	VC16654160
40	1.1/2"	38.0	120.0	80.0	1.1	VC16654505
50	2"	50.0	140.0	93.0	1.6	VC16655135

Valves



Gate Valve

EU 97/23/EC DN CE 0035

EN 10204 3.1

screwed-in bonnet, non-rising stem

full bore, solid wedge disc

f / f thread, ISO 228-1G

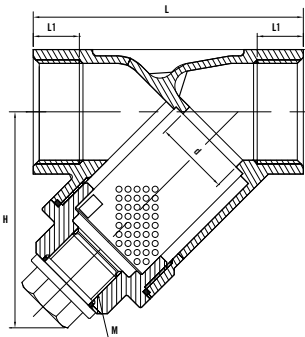
nominal pressure DN 15 (1/2") - DN 80 (3") = PN 16

PTFE seats and seals

temperature -20°C upto 200°C



DN	INCH	d mm	L mm	H mm	W mm	Kg / pc	EN 1.4408 AISI 316
15	1/2"	15.0	55.0	101.0	70.0	0.4	VG10652580
20	3/4"	20.0	60.0	108.0	70.0	0.5	VG10653045
25	1"	25.0	65.0	118.0	80.0	0.7	VG10653590
32	1.1/4"	32.0	75.0	132.0	80.0	1.0	VG11654160
40	1.1/2"	38.0	85.0	149.0	90.0	1.4	VG11654505
50	2"	50.0	95.0	175.0	100.0	2.1	VG11655135



Strainer

EU 97/23/EC DN CE 0035

EN 10204 3.1

screwed-in cap, swing type

full bore, st. st. screen

f / f thread, ISO 228-1G

nominal pressure DN 8 (1/4") - DN 80 (3") = PN 50

PTFE seats and seals

temperature -20°C upto 200°C



DN	INCH	d mm	L mm	L1 mm	H mm	M mm	Kg / pc	EN 1.4408 AISI 316
2	1/4"	15.0	65.0	13.0	46.5	1/4"-PF	0.30	VS10651855
10	3/8"	15.0	65.0	13.0	46.5	1/4"-PF	0.30	VS10652180
15	1/2"	15.0	65.0	13.0	46.5	1/4"-PF	0.30	VS10652580
20	3/4"	20.0	80.0	12.0	54.0	1/4"-PF	0.50	VS10653045
25	1"	25.0	90.0	18.5	67.0	1/2"-PF	0.96	VS10653590
32	1.1/4"	32.0	105.0	18.5	74.0	1/2"-PF	1.20	VS11654160
40	1.1/2"	40.0	120.0	22.0	81.5	1/2"-PF	1.80	VS11654505
50	2"	50.0	140.0	22.0	95.0	1/2"-PF	2.50	VS11655135