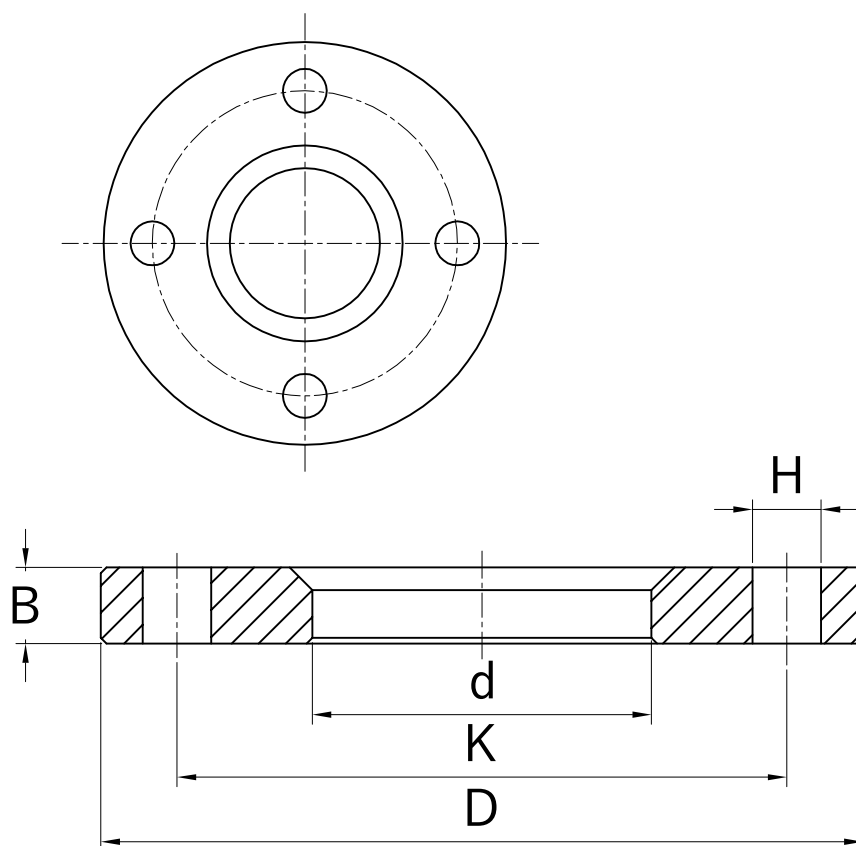


# ART. 879

| DN  | D   | K   | d   | B  | H  | Nr. Holes |
|-----|-----|-----|-----|----|----|-----------|
| 10  | 90  | 60  | 20  | 12 | 14 | 4         |
| 15  | 95  | 65  | 25  | 12 | 14 | 4         |
| 20  | 105 | 75  | 30  | 14 | 14 | 4         |
| 25  | 115 | 85  | 37  | 16 | 14 | 4         |
| 32  | 140 | 100 | 46  | 16 | 18 | 4         |
| 40  | 150 | 110 | 52  | 16 | 18 | 4         |
| 50  | 165 | 125 | 64  | 16 | 18 | 4         |
| 65  | 185 | 145 | 80  | 16 | 18 | 4         |
| 80  | 200 | 160 | 94  | 18 | 18 | 8         |
| 100 | 220 | 180 | 119 | 18 | 18 | 8         |
| 125 | 250 | 210 | 145 | 18 | 18 | 8         |
| 150 | 285 | 240 | 174 | 18 | 22 | 8         |
| 200 | 340 | 295 | 225 | 20 | 22 | 12        |
| 250 | 405 | 355 | 279 | 24 | 25 | 12        |
| 300 | 460 | 410 | 330 | 28 | 25 | 12        |
| 350 | 520 | 470 | 362 | 32 | 25 | 16        |
| 400 | 580 | 525 | 413 | 36 | 30 | 16        |
| 450 | 640 | 585 | 464 | 40 | 30 | 20        |
| 500 | 715 | 650 | 515 | 44 | 33 | 20        |
| 600 | 840 | 770 | 618 | 48 | 36 | 20        |



**FLANGIA ASTM A351 UNI 6090 PN 16**  
**FLANGE ASTM A351 DIN 2643 PN 16**