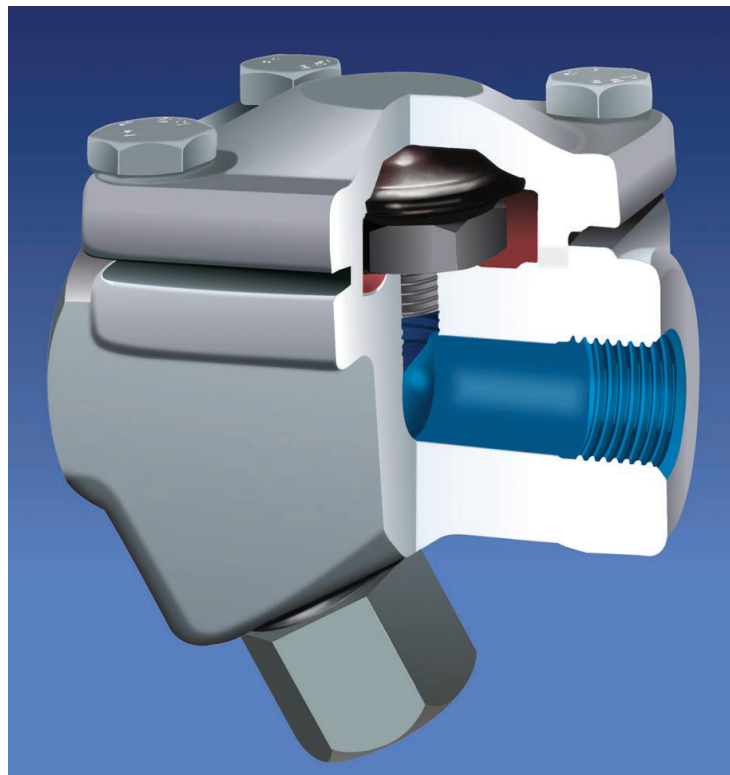


THERMOSTATIC STEAM TRAP
With Non - Return Action Seat

Model/Ref: 151504



THERMOSTATIC STEAM TRAP

With Non - Return Action Seat

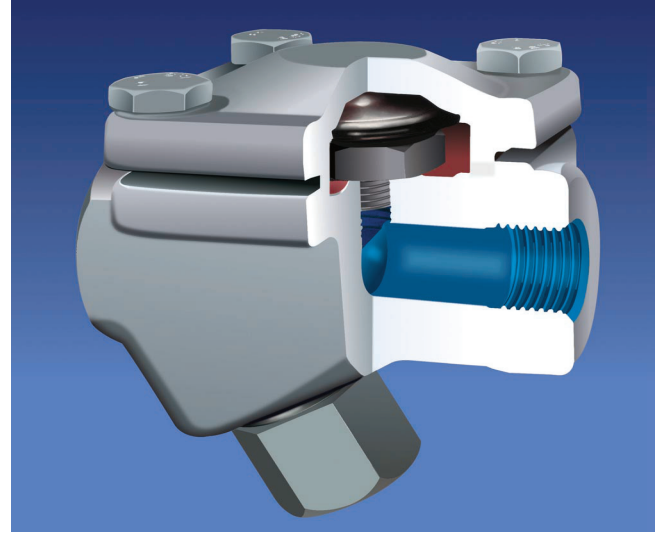
TKK 2Y

TERMOSTATİK KONDENSTOP
Çekvalf Sitli

THERMOSTATIC STEAM TRAP
With Non - Return Action Seat

Özellikler / Main Features

AYVAZ TKK 2Y Thermostatic Steam Traps as well the others are designed, manufactured and tested in accordance with the DIN standards and the relevant GERMAN regulations for steam boilers (TRD) and pressure vessels (AD). Thermostatic steam trap with membrane capsule regulator resists against corrosion and unaffected by waterhammer. Only difference of TKK 2Y type thermostatic steam traps is the "Y" type strainer. These thermostatic steam traps can work in any installation position and include standard type "S" membrane capsule. The stainless steel ball inside the specially designed seat acts as non return valve.



ÇALIŞMA ŞARTLARI / OPERATING CONDITIONS

Max. Basınç / Max. Allowable Pressure PMA (bar)	40
Max. Sıcaklık / Max. Allowable Temperature TMA (°C)	400
Max. Çalışma Basıncı / Max. Operating Pressure PMO (bar)	32
Max. Fark Basıncı / Max. Differential Pressure PMD (bar)	22
Max. Çalışma Sıcaklığı / Max. Operating Temperature TMO (°C)	250

AĞIRLIKLAR / WEIGHTS

Bağlantı şekli Connections	Flanşlı Flanged	Dişli Screwed	Kaynak B. Butt weld
Çaplar / Sizes mm	15 - 20 - 25	1/2 - 3/4 - 1	1/2 - 3/4 - 1
Ağırlıklar / Weights kgs	3.4 - 4.1 - 4.5	1.8 - 1.7 - 1.6	1.9 - 1.9 - 1.9

BAĞLANTI ŞEKLİ / CONNECTIONS

Dişli / Screwed	NPT acc. to ANSI B1 20.1 BSP acc. to BS 21
Soketli / Socket weld	ANSI B 16.11
Flanşlı / Flanged	DIN 2635 (PN 40)

ÇAPLAR / SIZES

mm	inches
15 - 20 - 25	1/2" - 3/4" - 1"

Uygulamalar / Typical Applications

Takip Hatları / Tracing Lines

Kurutma üniteleri / Drying Units

Presleme Üniteleri / Pressing Units

Buhar Çeketli Borular / Steam Jacket Pipelines

Ütüler / Iron Machines

Montaj / Installation

Her pozisyonda çalışabilen termostatik kondensstoplar boru hattına her pozisyonda bağlanabilirler.

The steam trap can be fitted on the line in every position and works properly.

THERMOSTATIC STEAM TRAP

With Non - Return Action Seat

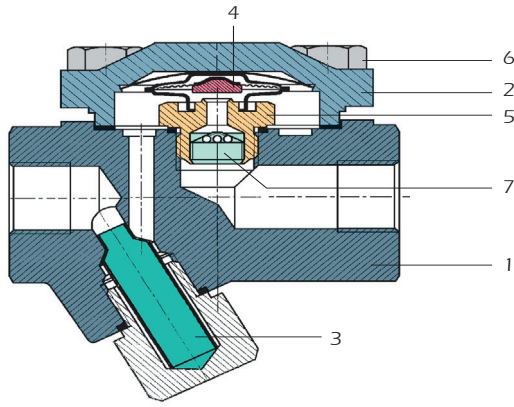
TKK 2Y

Kırmızı Eğri / Red Chart

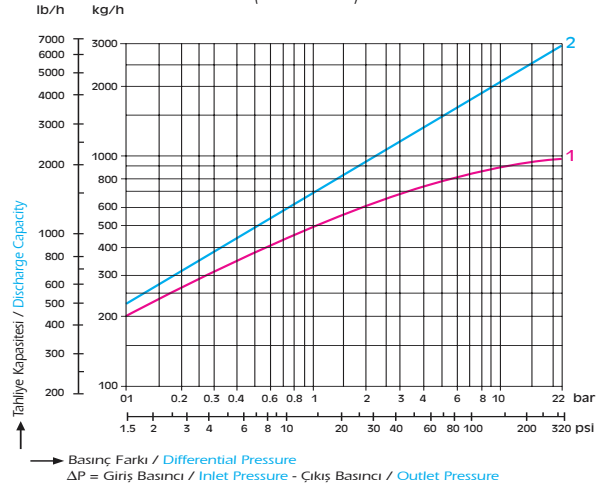
Buhar doyma sıcaklığının max. 10°C altındaki kondens tahliyesi.
Condensate temp. max. 10°C below steam saturation temp.

Mavi Eğri / Blue Chart

20°C'de soğuk kondens tahliyesi.
Cold condensate at a temperature of 20°C.



Tahliye Miktarları / Discharge Capacities (1/2" - 1")

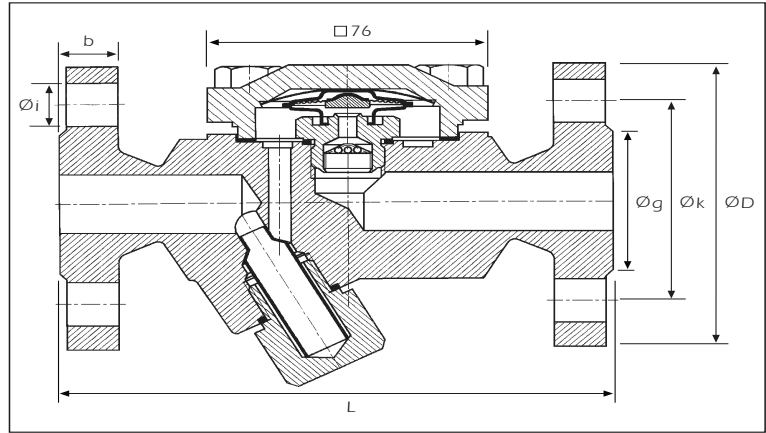
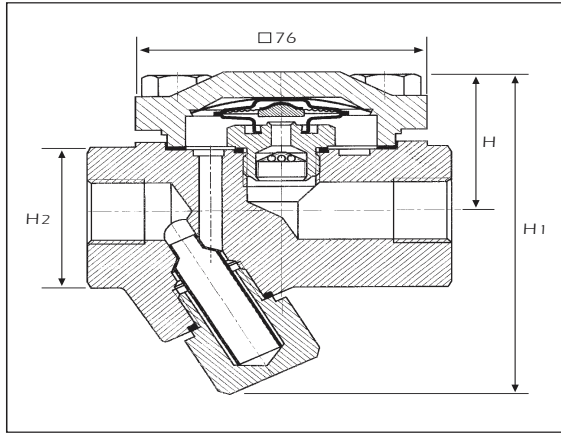


YEDEK PARÇALAR / SPARE PARTS

1	Gövde / Body	Dövme Çelik / Forged Steel ASTM A1 05
2	Kapak / Cover	Dövme Çelik / Forged Steel ASTM A1 05
3	Filtre / Strainer	Paslanmaz Çelik / Stainless Steel
4	Termostatik kapsül / Thermostatic Capsule	Hastelloy & Paslanmaz Çelik / Hastelloy & Stainless Steel
5	Sit / Seat	Paslanmaz Çelik / Stainless Steel AISI 304
6	Kapak Cıvataları / Cover Bolts	DIN 40 CrMoV4 7 / ASTM A1 93 B 16
7	Çekvalf / Non-Return Valve	AISI 304

BOYUTLAR / DIMENSIONS

Çap / Size	L - L1	H - H1 - H2	D	b	k	g	i	No. Holes
15	150 - 95	45 - 97 - 40	95	16	65	45	14	4
20	150 - 95	45 - 97 - 40	105	18	75	58	14	4
25	160 - 95	45 - 97 - 40	115	18	85	68	14	4



Technical data given for information purpose only. May be subject to alteration without prior notice