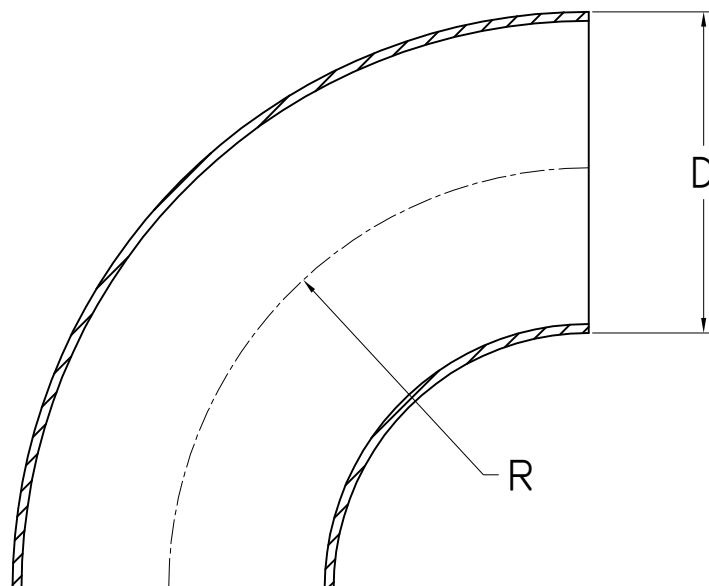


DN	D	R
-	18	25
-	20	30
15	21.3	27
-	22	38
-	23	35
-	25	37
20	26.9	28
-	28	40
25	33.7	38
-	34	38
-	35	52.5
-	38	55
-	40	60
32	42.4	47
40	48.3	57
-	50	71
-	52	78
-	53	80
50	60.3	76
-	63.5	95
65	76.1	95



90° WELDING ELBOW TH. 1,5 MM