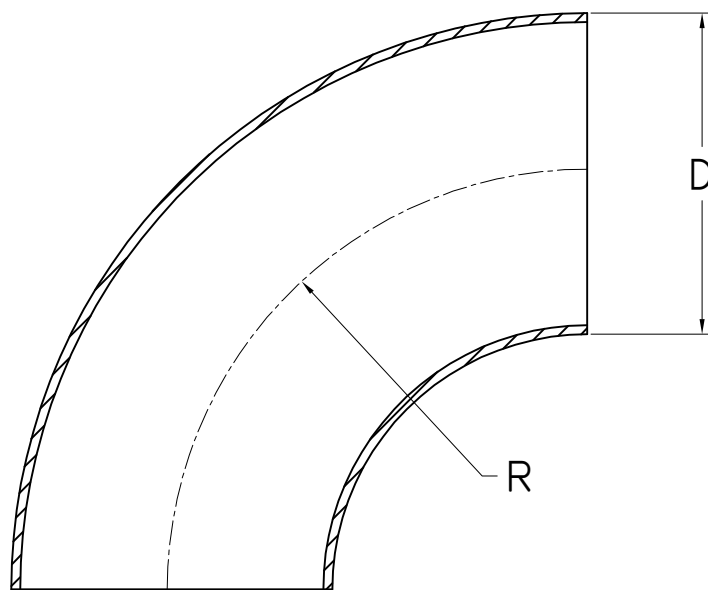


DN	D	R
8	13.7	20
10	17.2	25
-	20	30
15	21.3	27
-	25	37
20	26.9	28
-	30	45
25	33.7	38
-	38	55
-	40	60
32	42.4	47
-	44.5	65
40	48.3	57
-	50	71
-	52	78
-	54	80
-	57	85.5
50	60.3	76
-	70	92
65	76.1	95
-	80	120
-	84	125
80	88.9	114
90	101.6	133.5
-	104	155
-	108	142.5
100	114.3	152
-	129	190
125	139.7	190
-	154	225
150	168.3	229
-	204	300
200	219.1	305
-	254	375
250	273	381



90° WELDING ELBOW TH. 2 MM