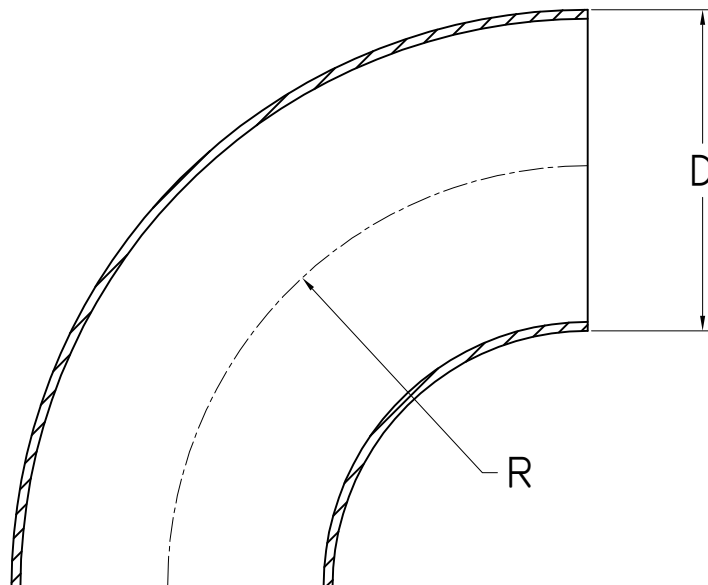


DN	D	R
15	21.3	27
20	26.9	28
25	33.7	38
32	42.4	47
40	48.3	57
-	57	85.5
50	60.3	76
65	76.1	95
80	88.9	114
90	101.6	133.5
-	108	142.5
100	114.3	152
-	129	190
125	139.7	190
-	154	225
150	168.3	229
-	206	300
200	219.1	305
-	254	375
250	273	381
300	323.9	457
350	355.6	533
400	406.4	610
500	508	762



90° WELDING ELBOW TH. 3 MM